



## Atlas - Portrait

1 - High Post Driven Ground Mount

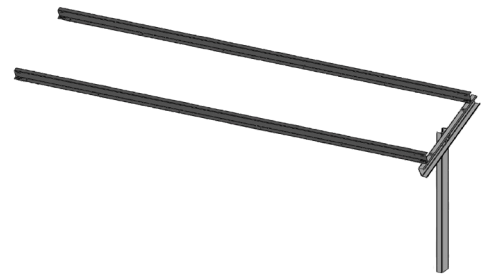
### Efficient Design & Affordable Price

The Atlas is a fixed tilt post driven ground mount system designed for any size solar installation. The mount is composed of slide together purlins allowing installers to slide rails into preceding section and adjust for post inaccuracies. Atlas-1 lowers overall project installation time and racking costs and provides UL 467 grounding clamps. Install over one MW per week with a six man crew.

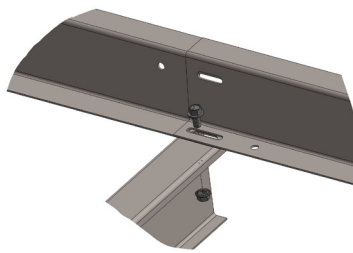
#### Starter Section



#### Add-on Section



#### Purlin Attachment

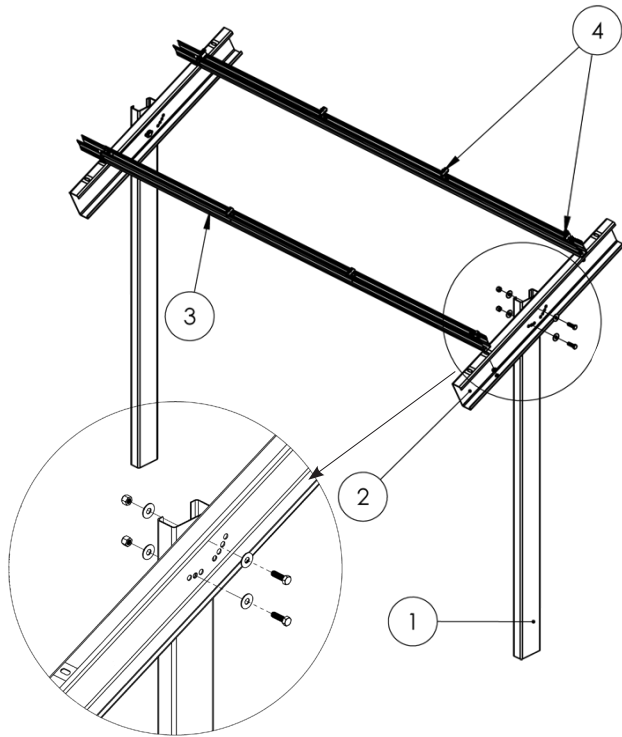


### Key Features

- Only three main components
- Standard tilt angles 5° - 40°
- Accommodates terrain up to 7°
- UL 467 grounding mid clamp
- Mounts 60, 72, and 96 cell panels
- C-channel (standard), I-beam, helical, and screw posts
- Slide-in purlins for fast and easy installation
- Galvanized and hot-dipped steel construction

# Atlas

## 1 - High Post Driven Ground Mount



Tilt Angle Selection

## Technical Specifications

Application	Open Field
Foundation	Pile Driven
Module Orientation	Portrait
Module Compatibility	All Major Brands - 60, 72, & 96 Cell Modules
Available Tilt Angles	5° - 40°
Ground Clearance	Standard 24" - 48"
Post Options	I-Beam, Helical, Ground Screw, and Hat-Shaped
Grade of Terrain	up to 7°
Wind Load	100 - 150 MPH *
Snow Load	Up to 80 PSF *
Purlin Length	126" - 207"
Material Composition	Galvanized Steel
Warranty	20 Years
Manufacturing	Made in USA

## Major Components

### 1. C-Channel Post

Available in multiple lengths for various soils and height clearances. Post options include: helical, I-beam, ground screws, & hat shaped.

### 2. Stamped Truss

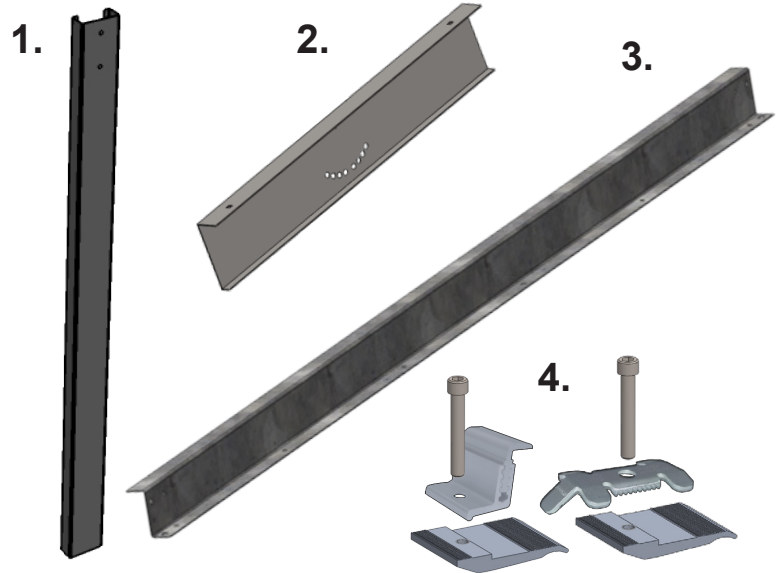
Pre-punched truss design allows for faster connection to post and multiple panel angle configurations. Includes 5° to 40° of tilt adjustment.

### 3. Stamped Z-Purlin

Quick assembly with easy adjustment. Swedge add-on purlin into preceding purlin section without the need for any additional assembly hardware or splice bar.

### 4. Panel Clamps

Clamp design allows for quick and easy assembly. Mid clamps feature integrated UL 467 grounding solution.



No.	Part	Starter Section	Add-On Section
1.	8' C-Channel Stamped Post	2 pcs	1 pc
2.	50" C-Channel Stamped Truss	2 pcs	1 pc
3.	Stamped Z-Purlin 208", 11 Ga.	2 pcs	2 pcs
4.	End & Mid Clamps	12 pcs	12 pcs

All assembly hardware included.

\*Snow loads are ground snow loads estimated at 7 deg.  
 \*Wind loads are estimated at 7 deg.  
 \*Loading is single factor snow only or wind only.  
 \*All specifications subject to change without notice.