

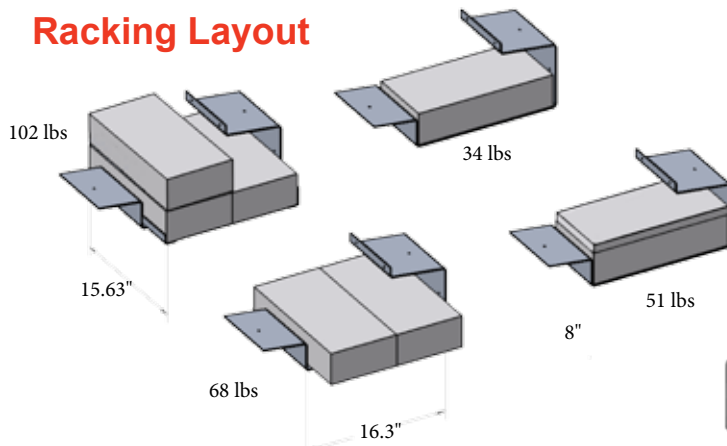
Atlantis

Ballasted Roof Mount - 7° or 10° Options

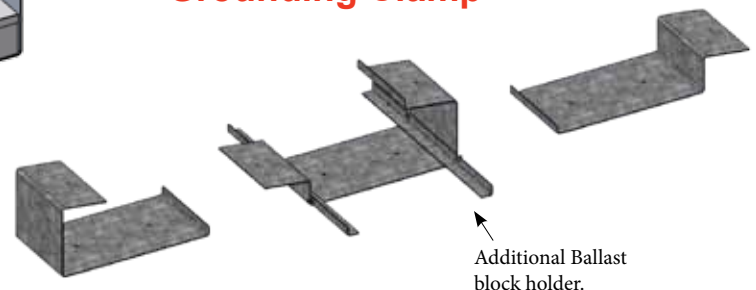
Innovative Racking System For Your Roof

The Atlantis is a ballasted roof mount solution featuring integrated grounding, up to 150 M.P.H. wind load. The Atlantis' simple assembly design make it a leader in driving down installation time and balance of system costs. Modular assembly allows for averting roof top obstructions and utilizing available space in the most efficient way. Reduce shipping costs as a result of the stackable lightweight design.

Racking Layout



Grounding Clamp

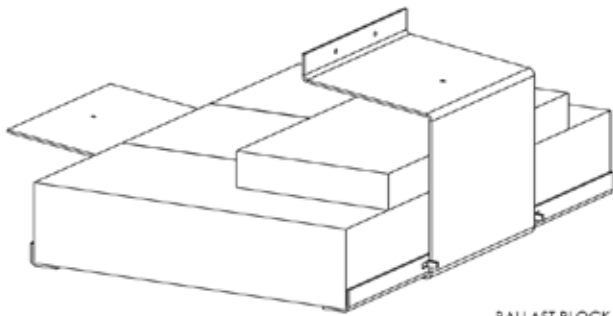
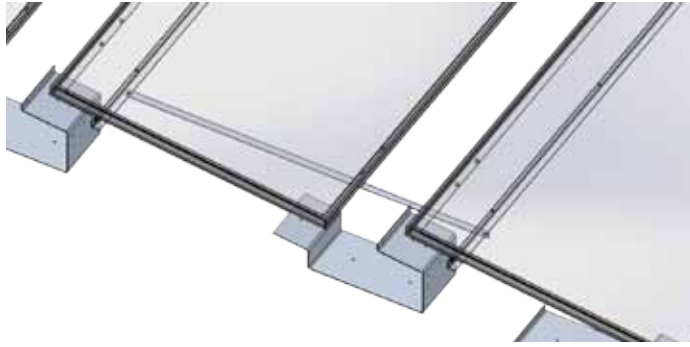


Key Features

- Wind loading up to 150 mph
- Anchor attachment options
- Integrated grounding
- UL 467 Clamps
- Minimal installation effort
- Aluminum base pans
- Low PSF roof load - starts at 3 PSF
- Stackable design maximizes container load
- Tilt angles of 7 degrees
- Custom tilt angles available

Atlantis

Ballasted Roof Mount



BALLAST BLOCK CONFIGURATIONS FOR 17-134LBS

Major Components

1 North & South Pans

South and North Pans for reduced footprint and neat end of rows. Allows for more solar on rooftops with low space availability. Complete electrical bonding at all connection

2 Mid Pans

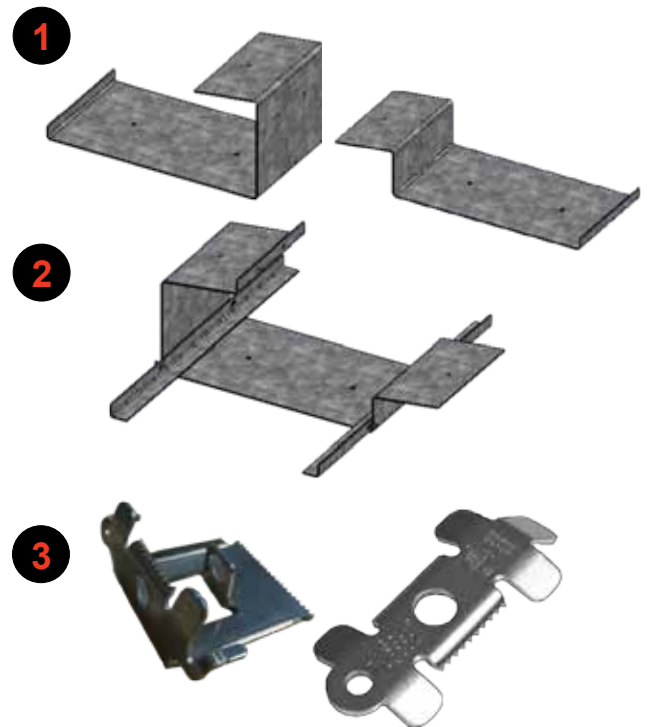
Lightweight stackable aluminum mounting base. Complete electrical bonding at all connection points per base.

3 Mid & End Clamps

Integrated grounding design reduces grounding effort. UL 467 Certified module clamps fit any size module.

Technical Specifications

Application	Flat Roof
Foundation	Non-Penetrating
Module Orientation	Landscape
Module Compatibility	Height 31 - 50 mm Width 982 - 1001 mm
	Length (60 Cell) 1638 - 1675 mm
Module Compatibility	Length (72 Cell) 1950 - 1990 mm
Available Tilt Angles	7°
Wind Load	Up to 150 MPH *
Snow Load	Up to 30 PSF *
Roof Load	3 - 5 PSF
Material Composition	Aluminum
Grounding	Pre-Integrated E/W & N/S
Certifications	UL 467
Warranty	25 Years
Manufacturing	Made in USA



No.	Part	Starter Section	Add Section
1.	North/South Pans	As Needed	As Needed
2	Base	4 / 2 pcs	2 / 1 pcs
3.	End Clamp	2 pcs	0 pcs
4.	Mid Clamp	2 pcs	2 pcs
All assembly hardware included.			

*Snow loads are ground snow loads estimated at 5 deg.
*wind loads are estimated at 5 deg.
*Loading is single factor snow only or wind only.
*All specifications subject to change without notice.