

Atlas 2 High

10 Panel Ground Mount



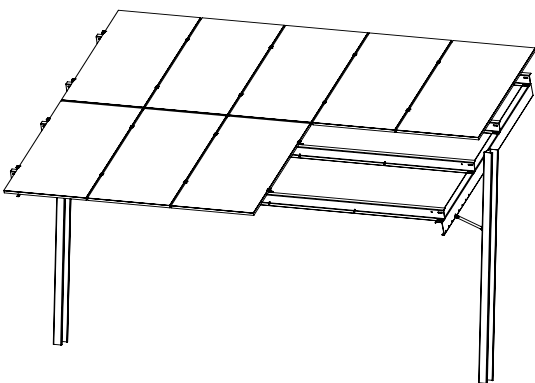
Atlas - 2 Portrait

2 - High Post Driven Ground Mount

Superior Cost Savings

The Atlas is a fixed tilt ground mount solution designed for commercial and utility scale installations, with slide-in panel rails, pre-punched hole locations, UL 467 grounding mid clamps and only three major components. Atlas dramatically lowers overall project installation and racking costs by up to 30%.

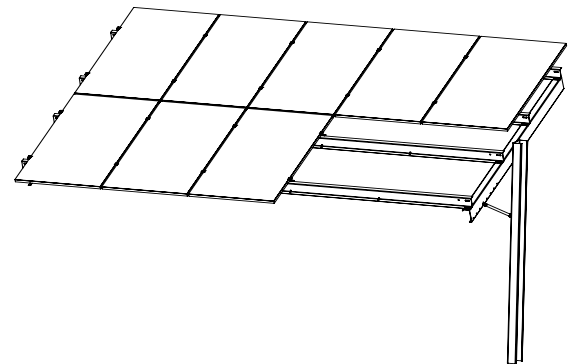
Start Section



Rail Attachment



Add-on Section



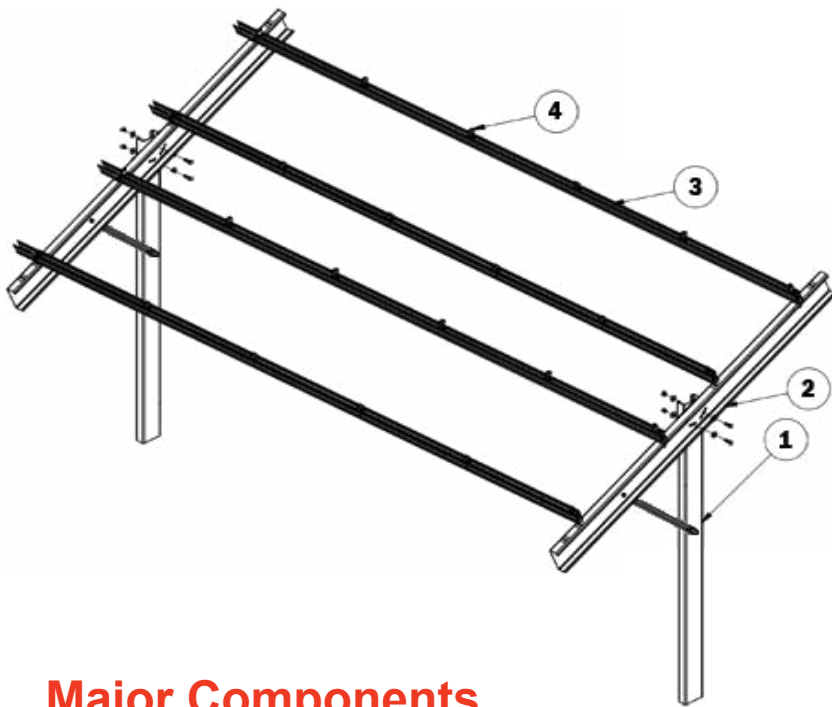
Key Features

- Simple convenient panel installation
- UL 467 grounding mid clamps
- Only 3 main components. No on-site Welding
- Universal hardware for all assembly
- 5° - 40° angles available
- All components are galvanized roll-formed steel
- C-Channel posts are pile driven into ground
- Accommodates terrain up to 5° EW

"Your Single Solar Source"

Atlas - 2

2-High Post Driven Ground Mount



Technical Specifications

Application	Open Field Layout
Foundation	Pile Driven
Module Orientation	Portrait
Module Compatibility	All Major Brands - 60 & 72 Cell Modules
Tilt Angle Available	5° - 40°
Ground Clearance	Standard - 24"
Grade of Terrain	EW = 5°
Wind Load	Up to 100 MPH *
Snow Load	Up to 60 PSF *
Purlin Length	207"
Material Composition	Galvanized Steel G-90 - Post, Truss & Rails
Warranty	20 Years
Manufacturing	Made in USA

Major Components

1 C-Channel Post

Available in multiple lengths for various soils and height clearances. Other Post Options include Helical, I-Beam, and Ground Screw.

2 Stamped Truss

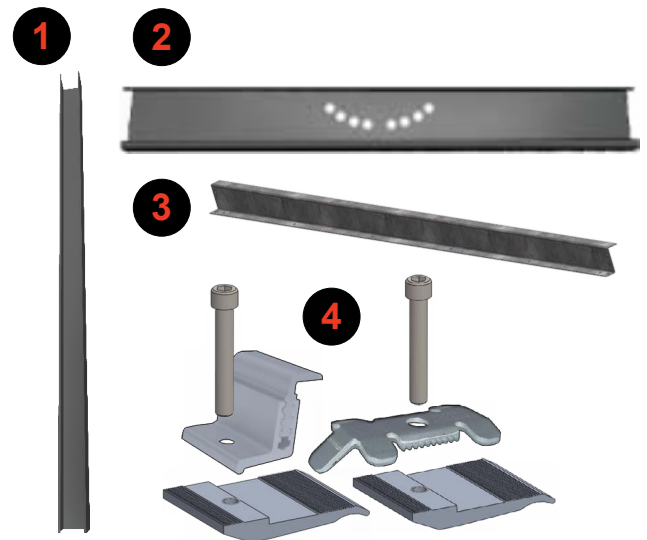
Pre-punched truss design allows for faster connection to post and varying truss angles.

3 Stamped Z-Purlin

Quick assembly with easy adjustment. Swedge add-on rail into preceding rail section without the need for additional assembly hardware or splice bar.

4 Panel Clamps and Grounding

Mid clamps come complete with UL 467 Grounding solution. Clamp design allows for quick and easy assembly.



		START	ADD
1.	C-Channel Post	2 pcs	1 pc
2.	Stamped Truss	2 pcs	1 pc
3.	Stamped Z-Purlin 207", 11 Ga.	4 pcs	4 pcs
4.	Clamps with Grounding	24 pcs	24 pcs
All assembly hardware included.			

*Snow loads are ground snow loads estimated at 40 deg.
 *wind loads are estimated at 10 deg.
 *Loading is single factor snow only or wind only.
 *All specifications subject to change without notice.