

# Atlas - High Wind

## 3 Panel Ground Mount

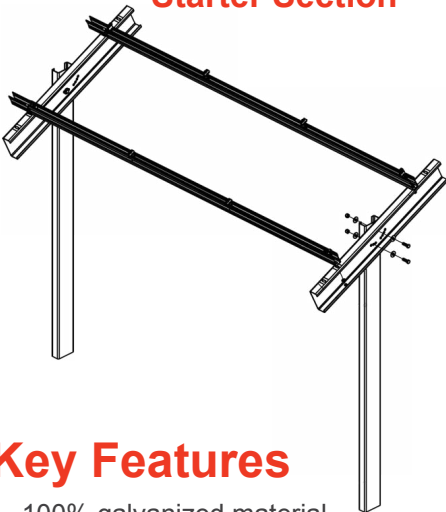


**Atlas - High Wind 150 m.p.h.**  
1 - High Post Driven Ground Mount

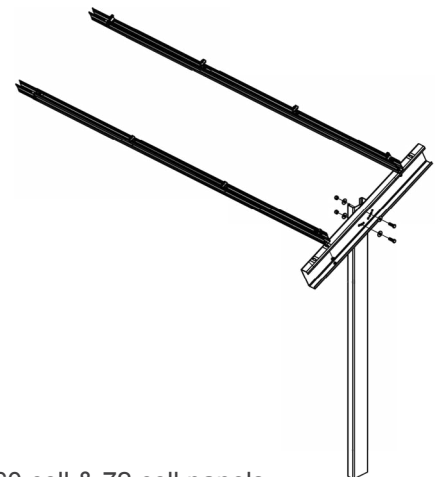
### Efficient Design & Affordable Price

The Atlas is a fixed tilt post driven ground mount system designed for any size solar installation. Atlas is composed of slide together purlins rails installers to slide rails into next section and adjust for post inaccuracies. The Atlas-1 dramatically lowers overall project installation time and racking costs as well as providing a UL 467 grounding mid clamp. Install over a Megawatt a week with a 6 man crew.

**Starter Section**



**Add-on Section**



**Rail Attachment**

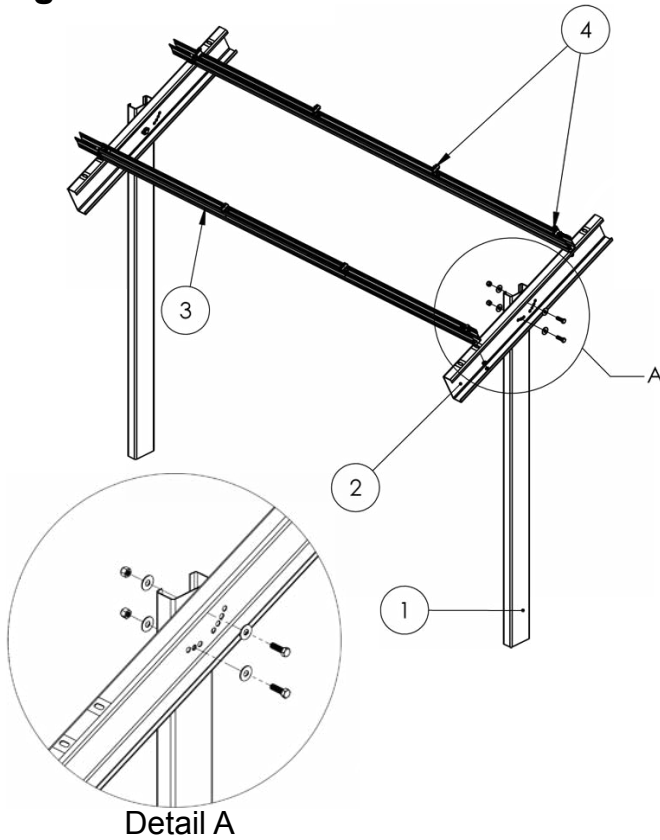
### Key Features

- 100% galvanized material
- Only 3 main components
- Available tilt angles 5° - 40°
- Accommodates terrain up to 5°
- UL 467 grounding mid clamp
- Mounts both 60 cell & 72 cell panels
- C-Channel posts are pile driven into the ground
- Pre-punched holes for ease of installation
- East/West adjustment for post inaccuracies
- Mounting available for all major panel types

**"Your Single Solar Source"**

# Atlas - High Wind 150 m.p.h.

## 1 - High Post Driven Ground Mount



## Technical Specifications

Application	Open Field
Foundation	Pile Driven
Module Orientation	Portrait
Module Compatibility	All Major Brands - 60 & 72 Cell Modules
Available Tilt Angles	5° - 40°
Ground Clearance	Standard - 24"
Grade of Terrain	5°
Wind Load	Up to 150 MPH *
Snow Load	Up to 80 PSF *
Purlin Length	126"
Material Composition	G-90 Galvanized Steel
Warranty	20 Years
Manufacturing	Made in USA

## Major Components

### 1 C-Channel Post

Available in multiple lengths for various soils and height clearances. Other post options include helical screw, and I-beam.

### 2 Stamped Truss

Pre-punched truss design allows for faster connection to post and multiple panel angle configurations. Includes 5° to 40° tilt adjustment.

### 3 Stamped Z-Purlin

Quick assembly with easy adjustment. Swedge add-on rail into preceding rail section without the need for additional assembly hardware or splice bar.

### 4 Panel Clamps

Clamp design allows for quick and easy assembly. Mid clamps feature integrated UL 467 grounding solution.



No.	Part	Starter Section	Add-On Section
1.	8' C-Channel Stamped Post	2 pcs	1 pc
2.	52" C-Channel Stamped Truss	2 pcs	1 pc
3.	Stamped Z-Purlin 126", 11 Ga.	2 pcs	2 pcs
4.	End & Mid Clamps	8 pcs	8 pcs

All assembly hardware included.

\*Snow loads are ground snow loads estimated at 40 deg.

\*wind loads are estimated at 10 deg.

\*Loading is single factor snow only or wind only.

\*All specifications subject to change without notice.