



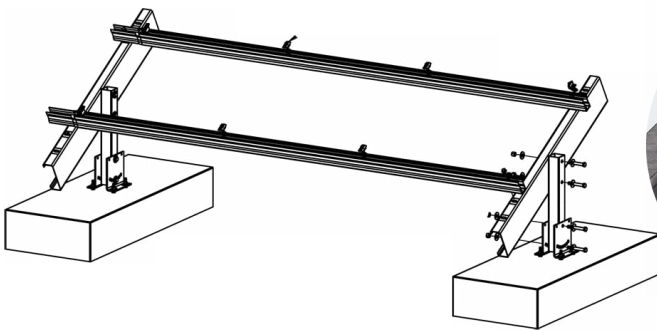
- (Patent Pending)

Delta - High Wind 150 m.p.h
1 - High Ballasted Ground Mount

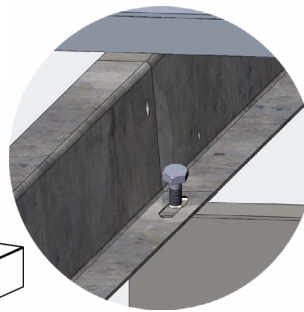
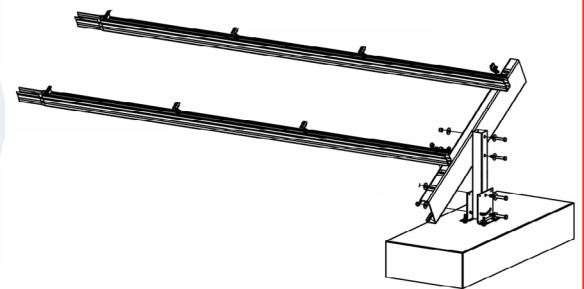
Light-Weight Solution For Any Terrain

The Delta is a non-penetrating ballasted ground mount system for any size solar installation. Benefits include several adjustment features varying terrain as well as UL 467 integrated grounding mid clamps. The Delta is an ideal solution for landfills, brownfields, rocky soils, and impenetrable ground conditions. Patriot can install over 1 MW per week with a 6 man crew.

Starter Section



Add-On Section



Rail Attachment

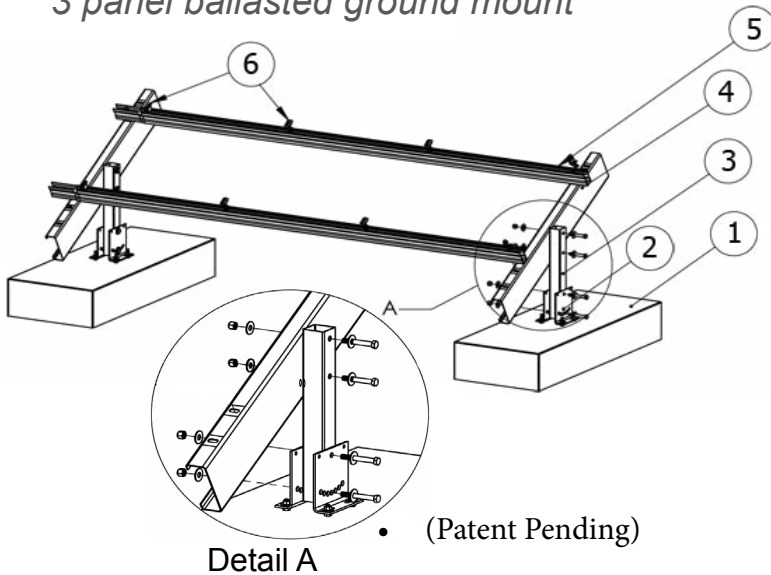
Key Features

- 100% galvanized material
- Ideal for any scale project
- Can be installed on un-even terrain
- Minimal components for quick installation

- UL 467 grounding mid clamps
- Optimal solution for landfills and brownfields
- Accomodates both 60 and 72 - cell panels
- Standard tilt angles between 5° - 40°

Delta - High Wind Series

3 panel ballasted ground mount



Detail A

Major Components

1 Concrete Ballast Block

Available in multiple sizes to meet various wind loads, tilt angles, and height clearances.
 10"x24"x60" Ballast Block weighs 1250 lbs.
 10"x30"x60" Ballast Block weighs 1850 lbs.

2 Post Mounting Bracket

Pre-punched holes allow for tilt North / South adjustment to follow land contours with 0° - 20° of adjustability.

3 Adjustable Post

Multiple lengths available to meet various height clearances. Includes 1" increment holes for in field vertical adjustment.

4 Stamped Truss

Pre-punched truss design allows for faster connection to post. 5° - 40° tilt angles available in 5° increments.

5 Stamped Rail

Quick assembly with easy adjustment. slide add-on Purlin into preceding Purlin section without the need for additional assembly hardware or splice bar.

6 Mid & End Clamps

Includes integrated UL 467 grounding mid clamps. Adjustable to accommodate all major module thicknesses from 30 mm - 50 mm.

Technical Specifications

Application	Open Field, Brownfields & Landfill
Foundation	Concrete Ballast Block
Module Orientation	Portrait
Module Compatibility	All Major Brands - 60 & 72 Cell Modules
Available Tilt Angles	5° - 40°
Ground Clearance	Standard - 24"
Grade of Terrain	NS = 20° / EW = 5°
Wind Load	Up to 150 MPH *
Snow Load	Up to 80 PSF *
Purlin Length	126"
Material Composition	Galvanized Steel Concrete Ballast Block
Warranty	20 Years
Manufacturing	Made in USA



No.	Part	Starter Section	Add-On Section
1.	10" Concrete Ballast with Hilti-Bolt 60" X 24" X 10" 10" x 24" x 60" Block - 1250 lbs 10" x 30" x 60" Block - 1850 lbs	2 pcs	1 pc
2.	Post Mounting Bracket	4 pcs	2 pcs
3.	Adjustable Post, 3" X 3" X 26"	2 pcs	1 pc
4.	52" Stamped Truss	2 pcs	1 pc
5.	126", 11 GA, Stamped Purlin	2 pcs	2 pcs
6.	Mid & End Clamps	8 pcs	8 pcs

All assembly hardware included.

*Snow loads are ground snow loads estimated at 40 deg.
 *wind loads are estimated at 10 deg.
 *Loading is single factor snow only or wind only.
 *All specifications subject to change without notice.